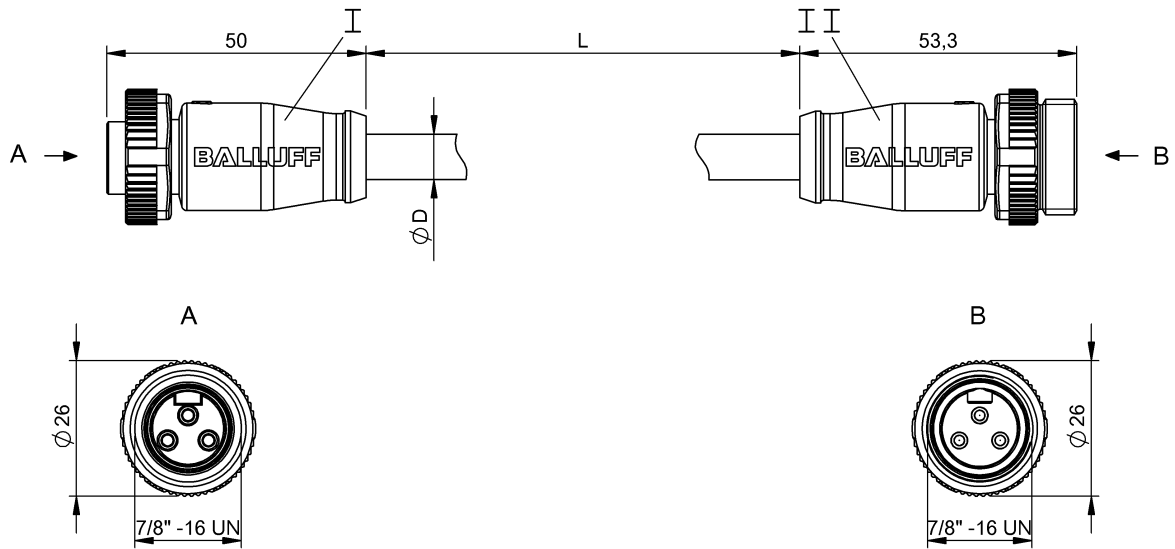


Double-Ended Cordsets
BCC A313-A313-30-365-PX03A5-020
Order Code: BCC0ARH

BALLUFF



Basic features

| | |
|---------------------|---------------------|
| Approval/Conformity | CE cULus WEEE |
|---------------------|---------------------|

Electrical connection

| | |
|-------------------------------------|---------------------------------------|
| Bending radius min., fixed cable | 7.5 x D |
| Bending radius min., flexible cable | 10 x D |
| Cable | PUR black, 2 m, drag chain compatible |
| Cable diameter D | 7.40 mm ±0.20 mm |
| Cable, bending cycles min. | 5 mil. |
| Conductor cross-section | 1.5 mm ² |
| Connection 1 | 7/8"-Female, straight, 3-pin |
| Connection 2 | 7/8"-Male, straight, 3-pin |
| Number of conductors | 3 |
| System | Molded/Molded |

Electrical data

| | |
|-----------------------|-------------------|
| Operating voltage Ub | 300 VDC / 300 VAC |
| Rated current (40 °C) | 13.0 A |

Remarks

Cable construction acc. to UL-AWM Style 20234
 Halogen-free
 Silicone-free
 Flame-retarding
 Enclosure rating per IEC 60529, only in screwed state with the associated mating piece.

Environmental conditions

| | |
|-------------------------------------|-----------------------|
| Cable temperature, fixed routing | -40...80 °C |
| Cable temperature, flexible routing | -20...80 °C |
| IP rating | IP67, IP68/IP67, IP68 |

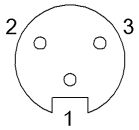
Material

| | |
|--------------------------|-----------------------------|
| Cable jacket, material | PUR |
| Material contact carrier | PUR/PUR |
| Material contacts | Brass/Brass |
| Material cover nut | Die-cast zinc/Die-cast zinc |
| Material grip | PUR/PUR |

Mechanical data

| | |
|---|-----------------------|
| Acceleration max., drag chain | 5 m/s ² |
| Cable jacket, color | black |
| Cable length L | 2.00 m |
| Cable properties | drag chain compatible |
| Horizontal travel permitted, drag chain | 20 m |
| Tightening torque pigtail | 1.5 Nm/1.5 Nm |
| Traverse speed max., drag chain | 300 m/min |

Connector Drawings

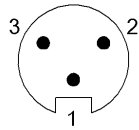


I

PIN 1: green/yellow

PIN 2: brown

PIN 3: blue



II

PIN 1: green/yellow

PIN 2: brown

PIN 3: blue

Wiring Diagrams

